

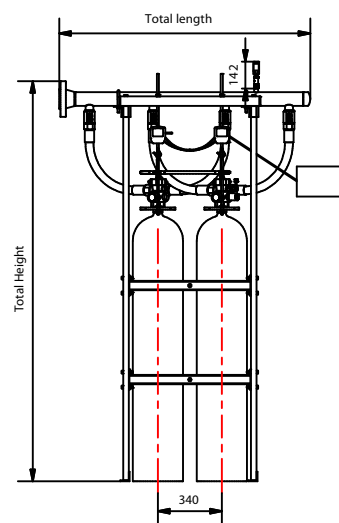
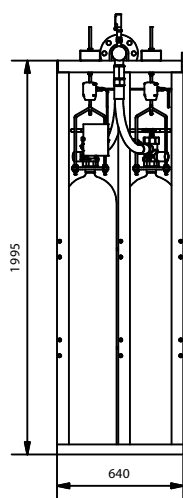
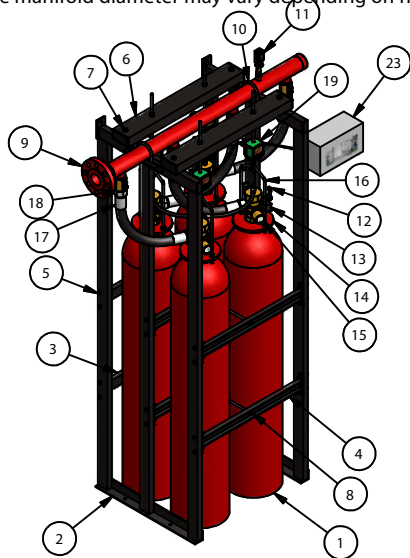


# BATTERIES OF CYLINDERS OF 67 L WITH CONTINUOUS WEIGHING (DOUBLE ROW)

## AEX/SBPX67FMD

Specifications						
Reference	Nº of cylinders	Max. load	Total length (mm)	Total Height (mm)	Manifold outlet*	Manifold reference
AEX/SBP367FMD	3	231 Kg	1335	2127	Flange 2 1/2"	CF212D3I067
AEX/SBP467FMD	4	308 Kg	1350	2145	Flange 3"	CF3D4I067
AEX/SBP567FMD	5	385 Kg	1690	2145	Flange 3"	CF3D5I067
AEX/SBP667FMD	6	462 Kg	1725	2191	Flange 4"	CF4D6I067
AEX/SBP767FMD	7	539 Kg	2065	2191	Flange 4"	CF4D7I067
AEX/SBP867FMD	8	616 Kg	2065	2191	Flange 4"	CF4D8I067
AEX/SBP967FMD	9	693 Kg	2435	2236	Flange 5"	CF5D9I067
AEX/SBP1067FMD	10	770 Kg	2435	2236	Flange 5"	CF5D10I067
AEX/SBP1167FMD	11	847 Kg	2775	2236	Flange 5"	CF5D11I067
AEX/SBP1267FMD	12	924 Kg	2775	2236	Flange 5"	CF5D12I067
AEX/SBP1367FMD	13	1001 Kg	3135	2265	Flange 6"	CF6D13I067
AEX/SBP1467FMD	14	1078 Kg	3135	2265	Flange 6"	CF6D14I067
AEX/SBP1567FMD	15	1155 Kg	3475	2265	Flange 6"	CF6D15I067
AEX/SBP1667FMD	16	1232 Kg	3475	2265	Flange 6"	CF6D16I067
AEX/SBP1767FMD	17	1309 Kg	3815	2265	Flange 6"	CF6D17I067
AEX/SBP1867FMD	18	1386 Kg	3815	2265	Flange 6"	CF6D18I067
AEX/SBP1967FMD	19	1463 Kg	4185	2236	2 Flanges 5"	CF5D19B067
AEX/SBP2067FMD	20	1540 Kg	4185	2236	2 Flanges 5"	CF5D20B067

\* The manifold diameter may vary depending on hydraulic calculations of each installation.



Parts list		Parts list	
Part Number	Reference and Description	Part Number	Reference and Description
1	BFE67 - Cilindre 67 L	11	AEX/CP1 - Pass contactor (optional)
2	HP-1995DP-Support feet double row with cont. weighing 1995	12	AEX/PM160A - Hand lever
3	HTPP(x) - Preceding crossbar for(x) cilindres	13	AEX/VS24 - Solenoid
4	HTPA(x) - Rear crossbar for (x) cilindres	14	BRR112-1 - Flange 1 1/2" for cylindre
5	TO8M55 - Screws, nuts and washers M8	15	AEX/M80 - Manometer
6	HS(x) - Battery suspension support (x) cilindres	16	BPAS1 - Suspension arc
7	TO10M125 - Screws, nuts and washers M10	17	L114N - Discharge hose 1 1/4"
8	HVSD - Rod for batterie double row with cont. weighing	18	AEX/VAR114 - Check valve 1 1/4"
9	SEE TABLE - Manifold	19	AEX/CPC3 - Continuous weighing control
10	HA(x) - U-bolt (x) inches		



Av. Alfonso Peña Boeuf, 6 y 9  
28022 MADRID - ESPAÑA  
TEL: +34 913121656  
FAX: +34 913295820

**DATA SHEET**  
BATTERIES OF CYLINDERS OF 67 L WITH  
CONTINUOUS WEIGHING (DOUBLE ROW)

Description: Complete Cylinder Battery, including manual & electric actuator, pressure gauge, hoses and manifold

Code sheet:	Group sheet:	Reference:	Drawn:	Date:	Revised:	Date:	Review:	Format:
AEX-FTC-04-018	HFC 227 ea	VER TABLA	DCM	12/12/2018	ENC	12/12/2018	1	A4

Note: Aguilera Extinción S.L. Reserves the right to modify any of the characteristics stated in this document without notice.